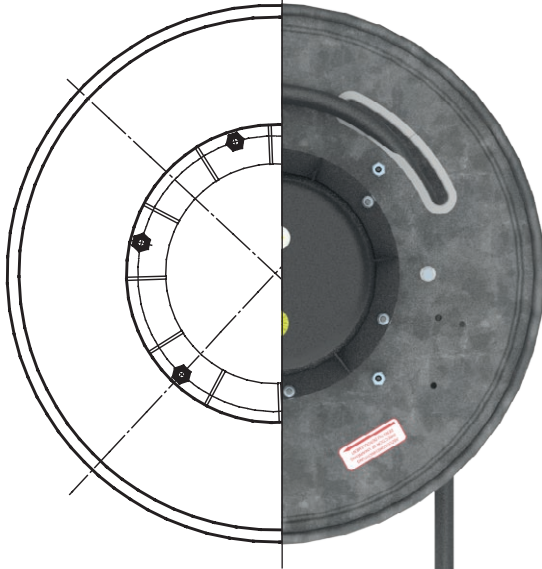


Maintenance Bulletin

BEF Spring Cable and Hose Reels

Periodic Check of the Flange, Slipping
and Shaft Attachment



Periodic Check of the Flange, Slipring and Shaft Attachment

Maintenance Work –

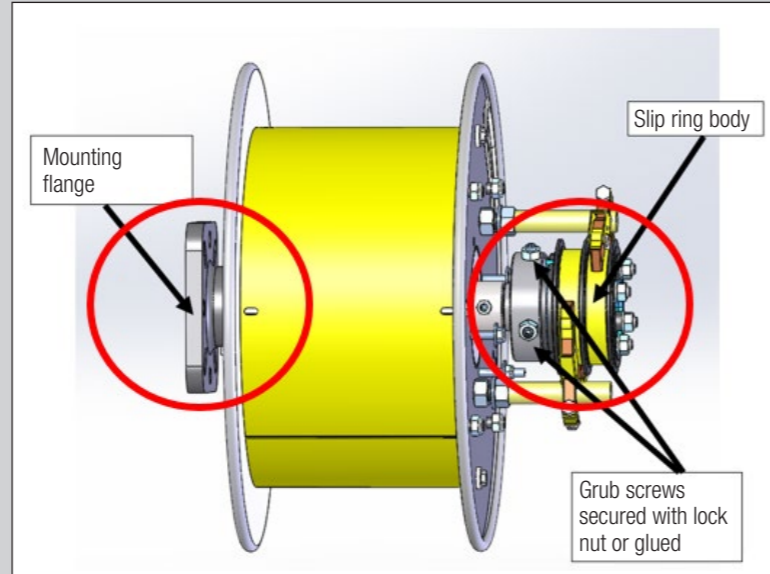
Every 6 months or 1000 h of operation, whichever first, perform the following verifications:

On the Reel

- Check all bolts and nuts for firm seating, since all reels are assembled from individual parts.
- Check all rubber seals and cable collars for tightness and/or damage, replace if necessary.
- Check the horizontal alignment of the axis.
- Check the correct position of the reel to the cable fixed point.

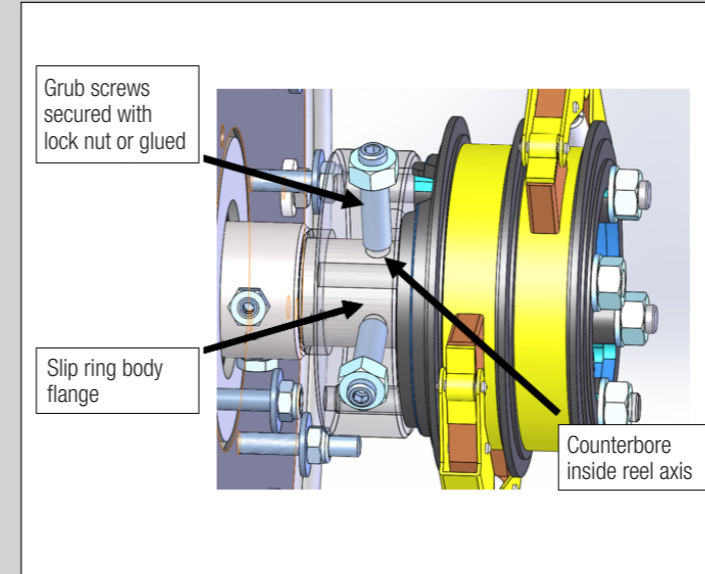
On the Slip Ring Body

- Check connections on terminal board and on current collectors for firm seating.
- Check current collectors and slip rings for wear and/or damage.
- Clean slip ring body from dust and grit.



On the Flange

- Check the connection between the mounting flange and the attachment point.
- Check the connection between the mounting flange and axis for firm seating.
- Check the connection between slip ring body flange and axis for firm seating.



The grub screws are secured against loosening in the delivery state. Do not loosen the grub screws, secure them again when they are screwed back in (e.g. Loctite 243).

Important note: the grub screws must grasp into the countersink's axis to get a safe flange and slip ring body connection!



Please read this important information on maintenance and security beforehand:



Installation manual MAL6100-0001



for Spring Cable Reels
BEF150 – BEF500

www.conductix.com

**For questions, remarks, suggestions,
please contact us:**

Find a local Service Team:

www.conductix.com/en/contact-search

Service Team in Germany:

service.de@conductix.com

Tel.: +49 (0) 7621 662 100

Product Management:

joerg.saettele@conductix.com

Tel.: +49 (0) 7621 662 490

